

# MotorGuide REPAIR PARTS

**Model:**  
**HVT4300**

**SPECIFICATIONS:**

Year of Intro	1998
Thrust	43LBS
Volts	12VDC
Amp Draw	0 to 48 amps
Mount	03 Transom
Speeds	5/2

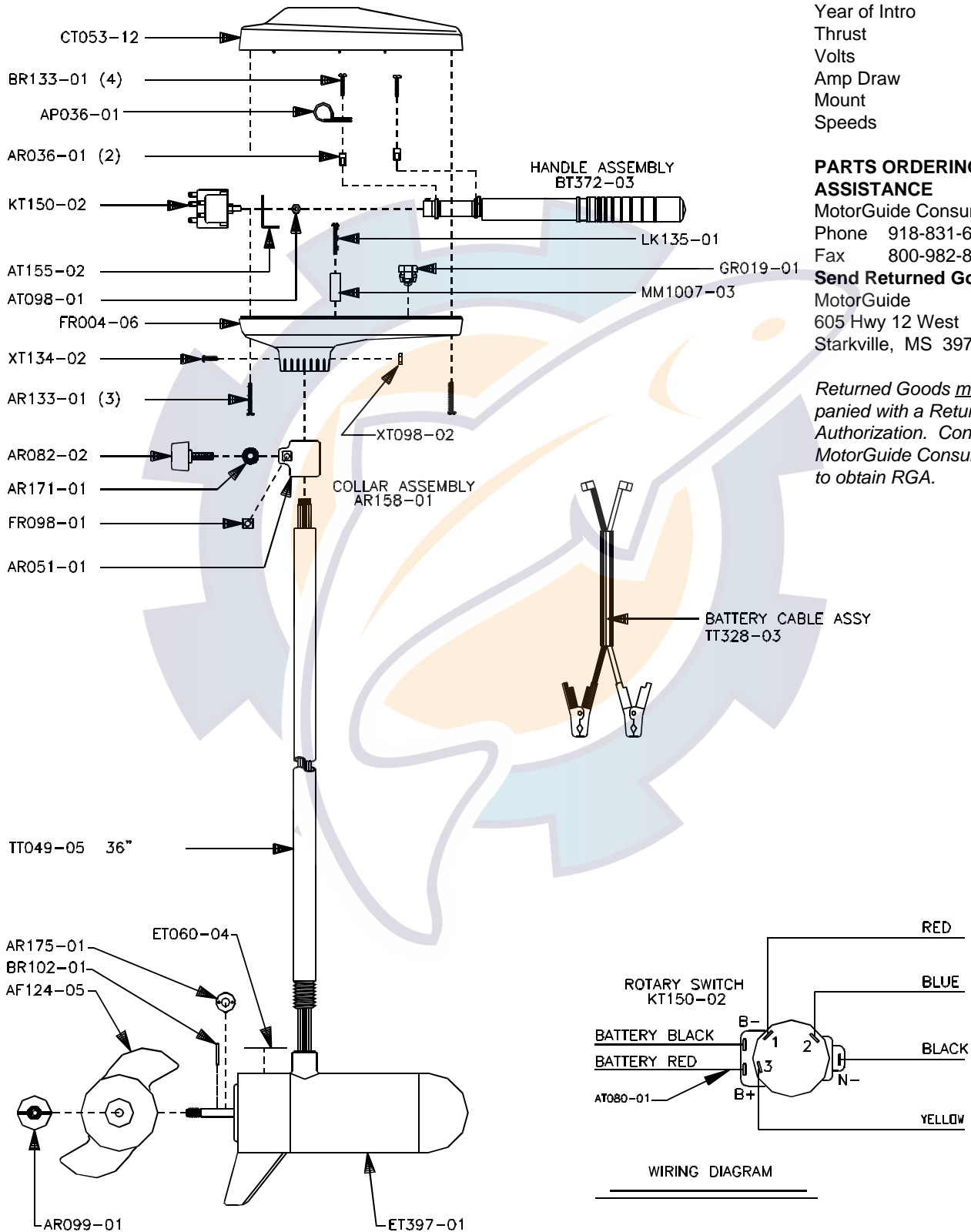
**PARTS ORDERING & TECH ASSISTANCE**

MotorGuide Consumer Relations  
Phone 918-831-6989  
Fax 800-982-8093

**Send Returned Goods to:**

MotorGuide  
605 Hwy 12 West  
Starkville, MS 39760

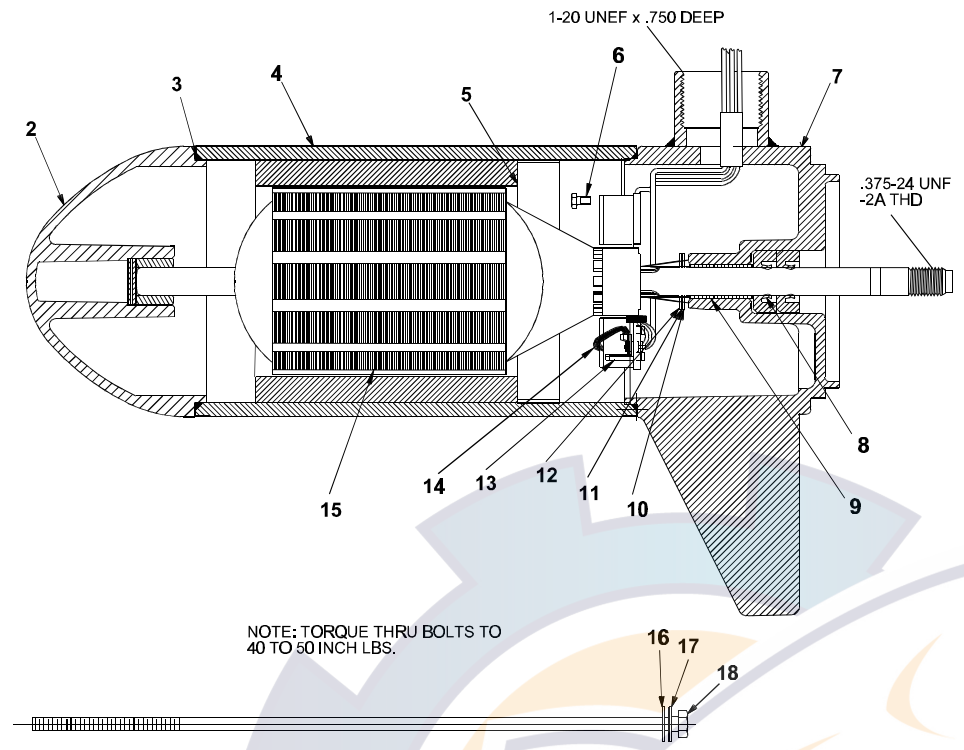
*Returned Goods must be accompanied with a Returned Goods Authorization. Contact MotorGuide Consumer Relations to obtain RGA.*



WIRING DIAGRAM

# LOWER UNIT BREAKDOWN

**Model:**  
**HVT4300**



## WIRING

